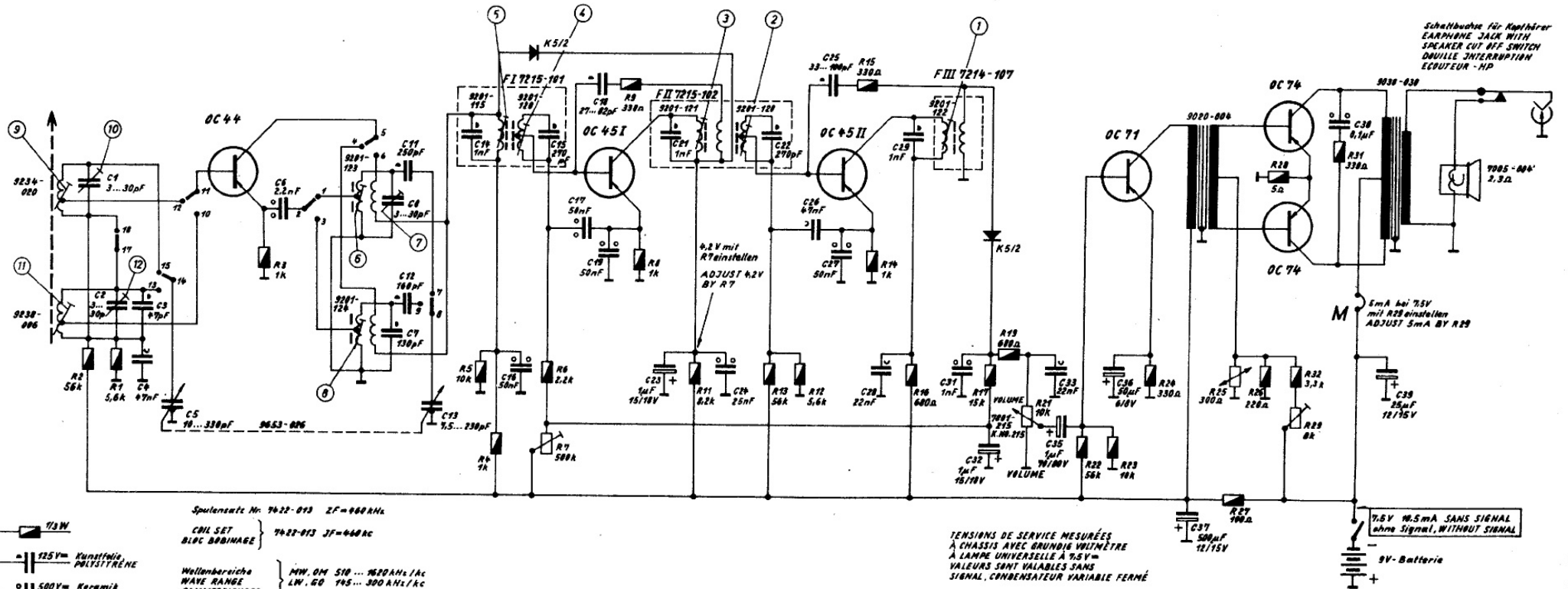


COLLECTOR (C) = rot, RED, ROUGE



- 1/3W
- 125V = Kunststoff, POLYSTYRÈNE
- 500V = Keramik CERAMICS CÉRAMIQUE
- 125V = POLYESTER

C:	2, 4, 5, 6, 7, 8, 9, 10, 11, 12, 13, 14, 15, 16, 17, 18, 19, 20, 21, 22, 23, 24, 25, 26, 27, 28, 29, 30, 31, 32, 33, 34, 35, 36, 37, 38, 39
R:	1, 2, 3, 4, 5, 6, 7, 8, 9, 10, 11, 12, 13, 14, 15, 16, 17, 18, 19, 20, 21, 22, 23, 24, 25, 26, 27, 28, 29, 30, 31